



GLAA20A2A



Actual product appearance may vary.

Global Limit Switches Series GLS: Side Rotary With Roller - Adjustable, 2NC 2NO DPDT Snap Action, 0.5 in - 14NPT conduit

Features

- Designed to IEC standard for world-wide applications
- UL, CSA, and CE
- International conduit sizes
- Direct PLC interface compatible (two circuit)
- Modular construction reduces maintenance parts costs
- Designed for ease of installation
- Variety of basic switch versions
- Wide choice of actuators

Potential Applications

- Machine tools: metal fabrication equipment, presses, transfer lines and special machinery
- Material handling equipment: conveyors, elevators, cranes, and hoists
- Packaging machinery and process equipment
- Textile machinery
- Construction machinery and equipment, vehicles and lift trucks

Description

The GLS series limit switches are specifically designed for world-wide applications and are supported by Honeywell global resources for sale and after sale service.

Product Specifications	
Availability	Global
Operating Force (O.F.)	0,330 N m [2.90 in lb]
Pretravel (P.T.)	26°
Overtravel (O.T.)	59°
Differential Travel (D.T.)	12°
Product Type	EN50041/47 Global Limit Switch
Actuator	Side Rotary
Lever Style	Roller - Adjustable
Circuitry	2NC 2NO DPDT Snap Action
Ampere Rating	10 A (Thermal)
Supply Voltage	600 Vac and 250 Vdc max.
Housing Material	Zinc Die-Cast

Termination Type	0.5 in - 14NPT conduit
Housing Type	EN 50041
Series Name	GLS DIN
Shock	50 g per IEC 68-2-27c (w/o Actuator)
Vibration	10 g per IEC 68-2-6 (w/o Actuator)
Sealing	NEMA 1, 4, 12, 13 IP67
Approvals	UL, CSA, CE
CSA File #	LR94369-3
UL File #	E37138 & E157416
Mechanical Life	15 million
Operating Temperature Range	-25 °C to 85 °C [-13 °F to 185 °F]
Comment	Roller Material: Plastic
Agency Approvals and Standards	IEC 947-5-1, EN60947-5-1, UL508
UNSPSC Code	302119
UNSPSC Commodity	302119 Switches and controls and relays
Sealed	Industrial
Operating Position (O.P.)	26°

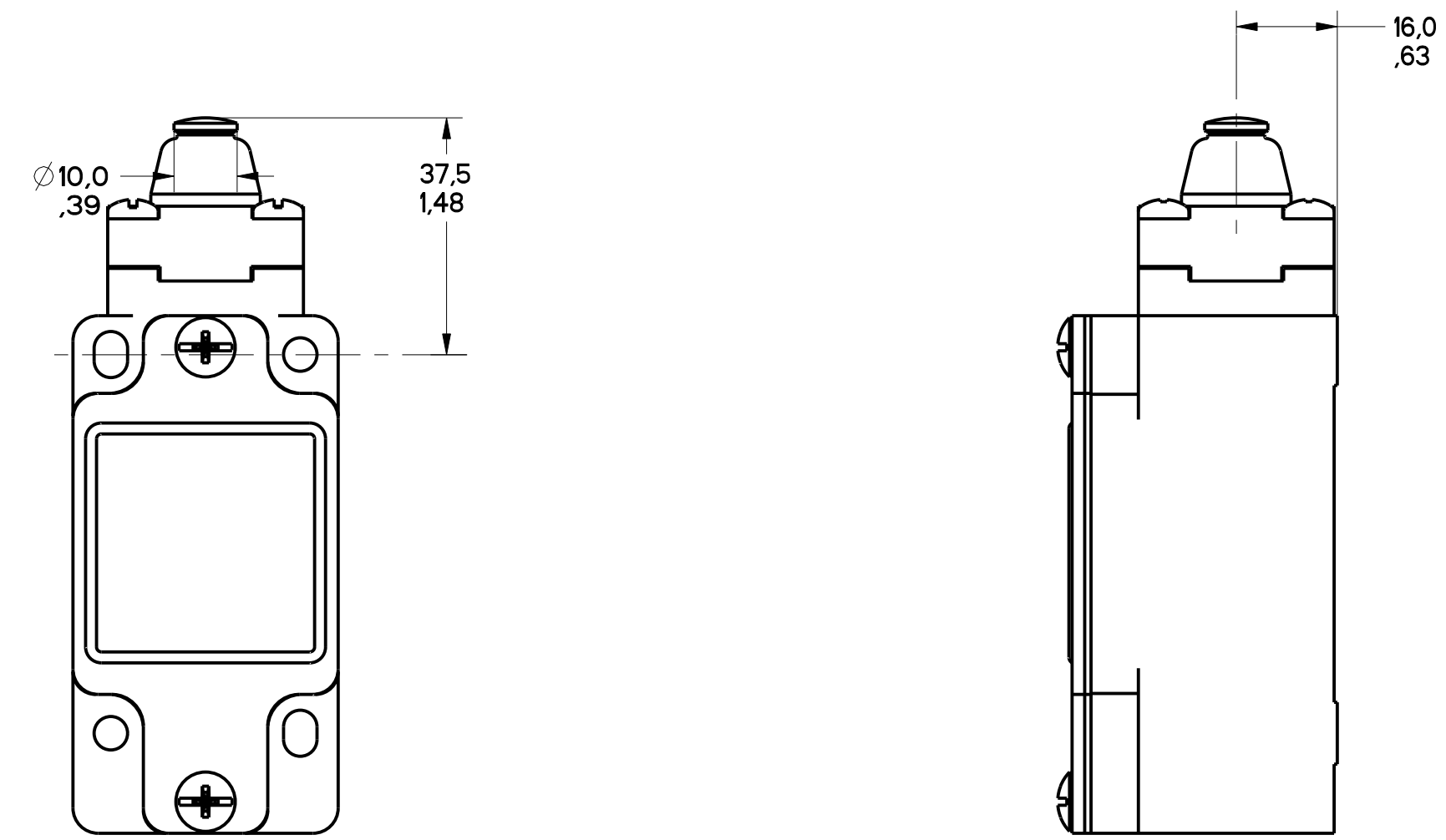


FIGURE 4 - TOP PIN PLUNGER HEAD
OTHERWISE REFER TO
FIGURE 1

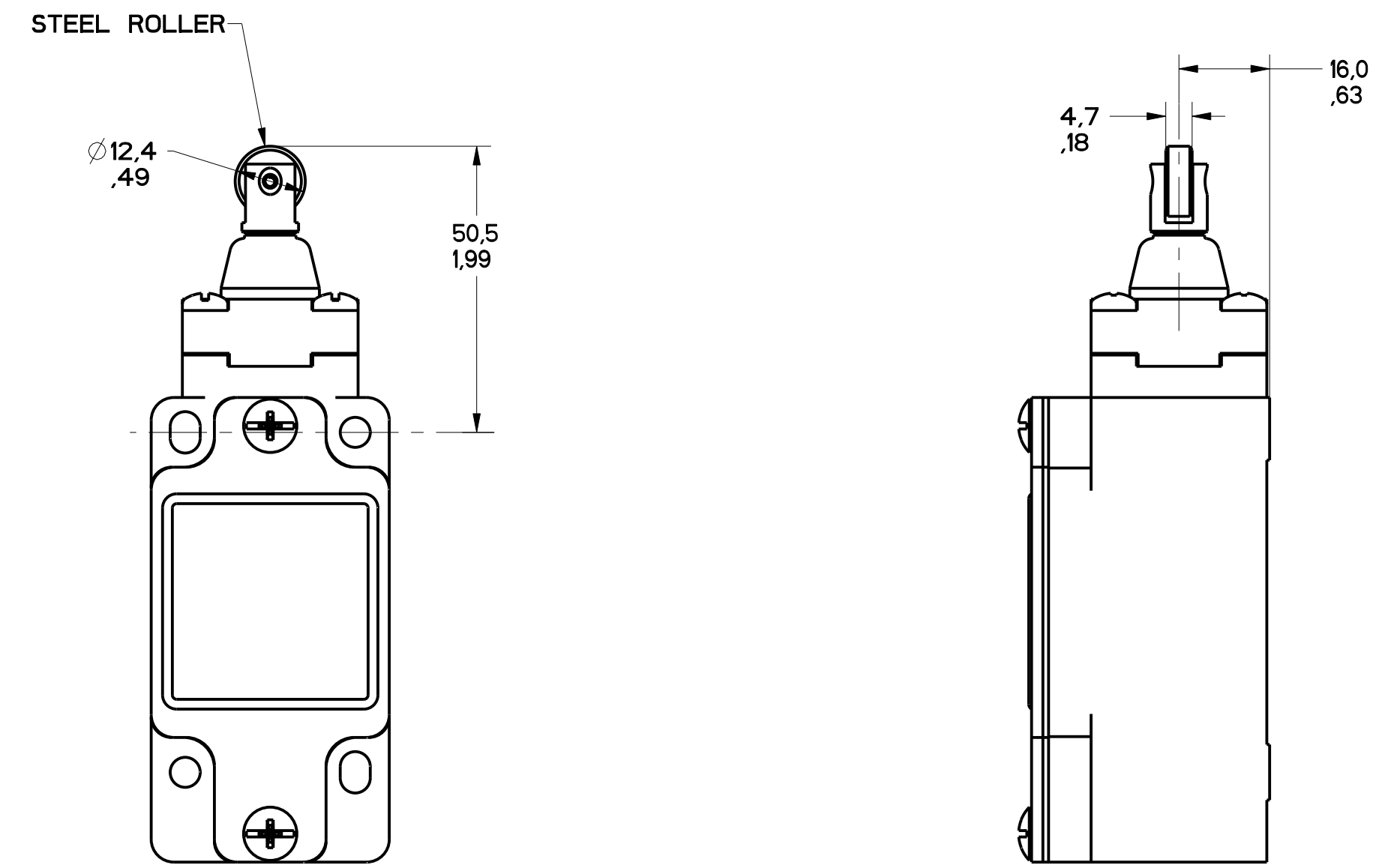


FIGURE 5 - TOP ROLLER PLUNGER HEAD
OTHERWISE REFER TO
FIGURE 1

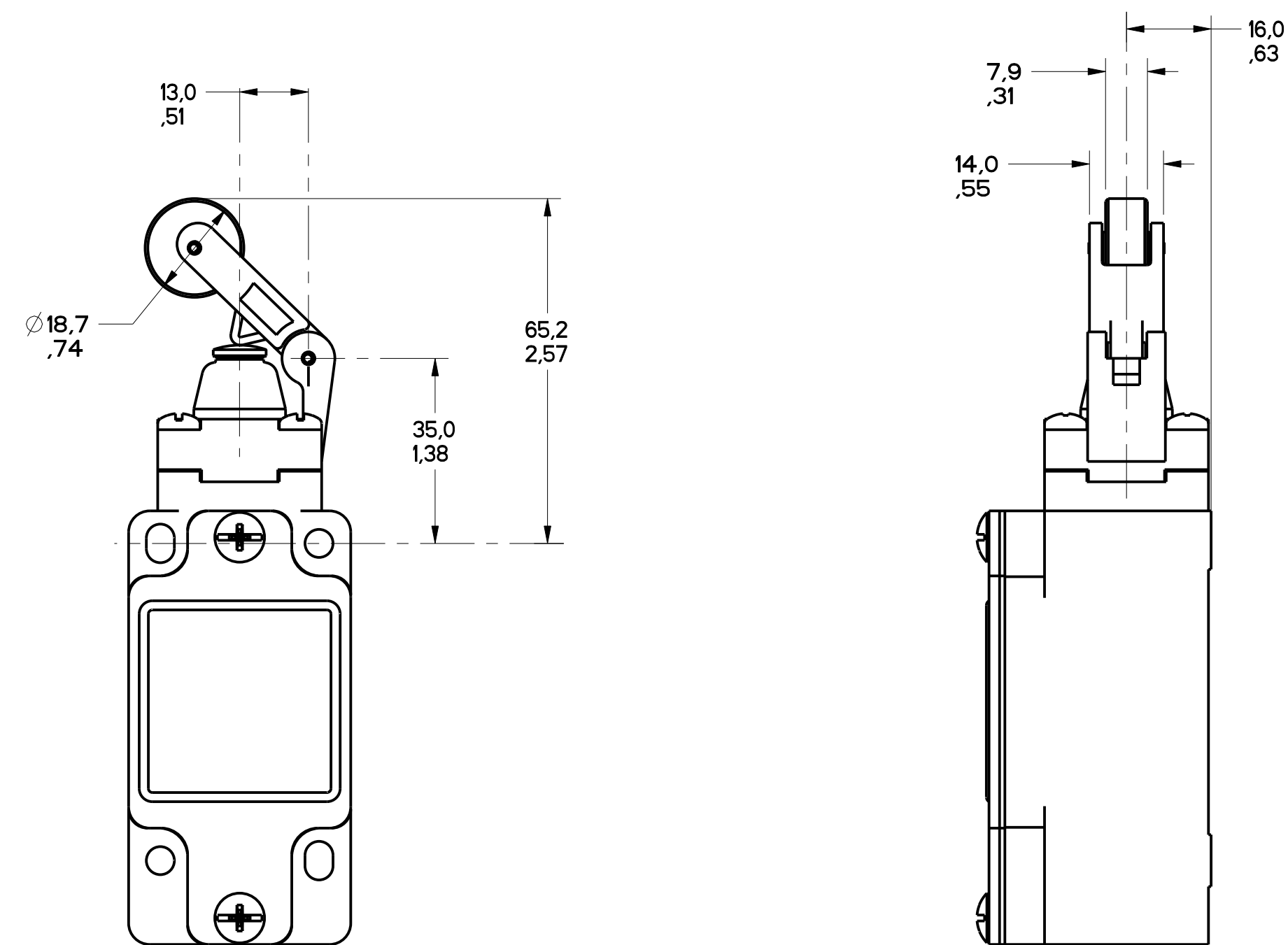


FIGURE 6 - TOP LEVER HEAD,
OTHERWISE REFER TO
FIGURE 1

MGL SERIES CHART 1
 DRAWING NUMBER: 2 OF 13
 RELEASE NO. PR-20782
 REVISIONS:
 A 01/88
 B 02/88
 C 2/88
 D 2/88
 E 2/88
 F 2/88
 G 2/88
 H 2/88
 I 2/88
 J 2/88
 K 2/88
 L 2/88
 M 2/88
 N 2/88
 O 2/88
 P 2/88
 Q 2/88
 R 2/88
 S 2/88
 T 2/88
 U 2/88
 V 2/88
 W 2/88
 X 2/88
 Y 2/88
 Z 2/88
 AA 2/88
 AB 2/88
 AC 2/88
 AD 2/88
 AE 2/88
 AF 2/88
 AG 2/88
 AH 2/88
 AI 2/88
 AJ 2/88
 AK 2/88
 AL 2/88
 AM 2/88
 AN 2/88
 AO 2/88
 AP 2/88
 AQ 2/88
 AR 2/88
 AS 2/88
 AT 2/88
 AU 2/88
 AV 2/88
 AW 2/88
 AX 2/88
 AY 2/88
 AZ 2/88
 BA 2/88
 BB 2/88
 BC 2/88
 BD 2/88
 BE 2/88
 BF 2/88
 BG 2/88
 BH 2/88
 BI 2/88
 BJ 2/88
 BK 2/88
 BL 2/88
 BM 2/88
 BN 2/88
 BO 2/88
 BP 2/88
 BQ 2/88
 BR 2/88
 BS 2/88
 BT 2/88
 BU 2/88
 BV 2/88
 BW 2/88
 BX 2/88
 BY 2/88
 BZ 2/88
 CA 2/88
 CB 2/88
 CC 2/88
 CD 2/88
 CE 2/88
 CF 2/88
 CG 2/88
 CH 2/88
 CI 2/88
 CJ 2/88
 CK 2/88
 CL 2/88
 CM 2/88
 CN 2/88
 CO 2/88
 CP 2/88
 CQ 2/88
 CR 2/88
 CS 2/88
 CT 2/88
 CU 2/88
 CV 2/88
 CW 2/88
 CX 2/88
 CY 2/88
 CZ 2/88
 DA 2/88
 DB 2/88
 DC 2/88
 DD 2/88
 DE 2/88
 DF 2/88
 DG 2/88
 DH 2/88
 DI 2/88
 DJ 2/88
 DK 2/88
 DL 2/88
 DM 2/88
 DN 2/88
 DO 2/88
 DP 2/88
 DQ 2/88
 DR 2/88
 DS 2/88
 DT 2/88
 DU 2/88
 DV 2/88
 DW 2/88
 DX 2/88
 DY 2/88
 DZ 2/88
 EA 2/88
 EB 2/88
 EC 2/88
 ED 2/88
 EE 2/88
 EF 2/88
 EG 2/88
 EH 2/88
 EI 2/88
 EJ 2/88
 EK 2/88
 EL 2/88
 EM 2/88
 EN 2/88
 EO 2/88
 EP 2/88
 EQ 2/88
 ER 2/88
 ES 2/88
 ET 2/88
 EU 2/88
 EV 2/88
 EW 2/88
 EX 2/88
 EY 2/88
 EZ 2/88
 FA 2/88
 FB 2/88
 FC 2/88
 FD 2/88
 FE 2/88
 FF 2/88
 FG 2/88
 FH 2/88
 FI 2/88
 FJ 2/88
 FK 2/88
 FL 2/88
 FM 2/88
 FN 2/88
 FO 2/88
 FP 2/88
 FQ 2/88
 FR 2/88
 FS 2/88
 FT 2/88
 FU 2/88
 FV 2/88
 FW 2/88
 FX 2/88
 FY 2/88
 FZ 2/88
 GA 2/88
 GB 2/88
 GC 2/88
 GD 2/88
 GE 2/88
 GF 2/88
 GG 2/88
 GH 2/88
 GI 2/88
 GJ 2/88
 GK 2/88
 GL 2/88
 GM 2/88
 GN 2/88
 GO 2/88
 GP 2/88
 GQ 2/88
 GR 2/88
 GS 2/88
 GT 2/88
 GU 2/88
 GV 2/88
 GW 2/88
 GX 2/88
 GY 2/88
 GZ 2/88
 HA 2/88
 HB 2/88
 HC 2/88
 HD 2/88
 HE 2/88
 HF 2/88
 HG 2/88
 HH 2/88
 HI 2/88
 HJ 2/88
 HK 2/88
 HL 2/88
 HM 2/88
 HN 2/88
 HO 2/88
 HP 2/88
 HQ 2/88
 HR 2/88
 HS 2/88
 HT 2/88
 HU 2/88
 HV 2/88
 HW 2/88
 HX 2/88
 HY 2/88
 HZ 2/88
 IA 2/88
 IB 2/88
 IC 2/88
 ID 2/88
 IE 2/88
 IF 2/88
 IG 2/88
 IH 2/88
 II 2/88
 IJ 2/88
 IK 2/88
 IL 2/88
 IM 2/88
 IN 2/88
 IO 2/88
 IP 2/88
 IQ 2/88
 IR 2/88
 IS 2/88
 IT 2/88
 IU 2/88
 IV 2/88
 IW 2/88
 IX 2/88
 IY 2/88
 IZ 2/88
 JA 2/88
 JB 2/88
 JC 2/88
 JD 2/88
 JE 2/88
 JF 2/88
 JG 2/88
 JH 2/88
 JI 2/88
 JJ 2/88
 JK 2/88
 JL 2/88
 JM 2/88
 JN 2/88
 JO 2/88
 JP 2/88
 JQ 2/88
 JR 2/88
 JS 2/88
 JT 2/88
 JU 2/88
 JV 2/88
 JW 2/88
 JX 2/88
 JY 2/88
 JZ 2/88
 KA 2/88
 KB 2/88
 KC 2/88
 KD 2/88
 KE 2/88
 KF 2/88
 KG 2/88
 KH 2/88
 KI 2/88
 KJ 2/88
 KK 2/88
 KL 2/88
 KM 2/88
 KN 2/88
 KO 2/88
 KP 2/88
 KQ 2/88
 KR 2/88
 KS 2/88
 KT 2/88
 KU 2/88
 KV 2/88
 KW 2/88
 KX 2/88
 KY 2/88
 KZ 2/88
 LA 2/88
 LB 2/88
 LC 2/88
 LD 2/88
 LE 2/88
 LF 2/88
 LG 2/88
 LH 2/88
 LI 2/88
 LJ 2/88
 LK 2/88
 LL 2/88
 LM 2/88
 LN 2/88
 LO 2/88
 LP 2/88
 LQ 2/88
 LR 2/88
 LS 2/88
 LT 2/88
 LU 2/88
 LV 2/88
 LW 2/88
 LX 2/88
 LY 2/88
 LZ 2/88
 MA 2/88
 MB 2/88
 MC 2/88
 MD 2/88
 ME 2/88
 MF 2/88
 MG 2/88
 MH 2/88
 MI 2/88
 MJ 2/88
 MK 2/88
 ML 2/88
 MM 2/88
 MN 2/88
 MO 2/88
 MP 2/88
 MQ 2/88
 MR 2/88
 MS 2/88
 MT 2/88
 MU 2/88
 MV 2/88
 MW 2/88
 MX 2/88
 MY 2/88
 MZ 2/88
 NA 2/88
 NB 2/88
 NC 2/88
 ND 2/88
 NE 2/88
 NF 2/88
 NG 2/88
 NH 2/88
 NI 2/88
 NJ 2/88
 NK 2/88
 NL 2/88
 NM 2/88
 NN 2/88
 NO 2/88
 NP 2/88
 NQ 2/88
 NR 2/88
 NS 2/88
 NT 2/88
 NU 2/88
 NV 2/88
 NW 2/88
 NX 2/88
 NY 2/88
 NZ 2/88
 OA 2/88
 OB 2/88
 OC 2/88
 OD 2/88
 OE 2/88
 OF 2/88
 OG 2/88
 OH 2/88
 OI 2/88
 OJ 2/88
 OK 2/88
 OL 2/88
 OM 2/88
 ON 2/88
 OO 2/88
 OP 2/88
 OQ 2/88
 OR 2/88
 OS 2/88
 OT 2/88
 OU 2/88
 OV 2/88
 OW 2/88
 OX 2/88
 OY 2/88
 OZ 2/88
 PA 2/88
 PB 2/88
 PC 2/88
 PD 2/88
 PE 2/88
 PF 2/88
 PG 2/88
 PH 2/88
 PI 2/88
 PJ 2/88
 PK 2/88
 PL 2/88
 PM 2/88
 PN 2/88
 PO 2/88
 PP 2/88
 PQ 2/88
 PR 2/88
 PS 2/88
 PT 2/88
 PU 2/88
 PV 2/88
 PW 2/88
 PX 2/88
 PY 2/88
 PZ 2/88
 QA 2/88
 QB 2/88
 QC 2/88
 QD 2/88
 QE 2/88
 QF 2/88
 QG 2/88
 QH 2/88
 QI 2/88
 QJ 2/88
 QK 2/88
 QL 2/88
 QM 2/88
 QN 2/88
 QO 2/88
 QP 2/88
 QQ 2/88
 QR 2/88
 QS 2/88
 QT 2/88
 QU 2/88
 QV 2/88
 QW 2/88
 QX 2/88
 QY 2/88
 QZ 2/88
 RA 2/88
 RB 2/88
 RC 2/88
 RD 2/88
 RE 2/88
 RF 2/88
 RG 2/88
 RH 2/88
 RI 2/88
 RJ 2/88
 RK 2/88
 RL 2/88
 RM 2/88
 RN 2/88
 RO 2/88
 RP 2/88
 RQ 2/88
 RR 2/88
 RS 2/88
 RT 2/88
 RU 2/88
 RV 2/88
 RW 2/88
 RX 2/88
 RY 2/88
 RZ 2/88
 SA 2/88
 SB 2/88
 SC 2/88
 SD 2/88
 SE 2/88
 SF 2/88
 SG 2/88
 SH 2/88
 SI 2/88
 SJ 2/88
 SK 2/88
 SL 2/88
 SM 2/88
 SN 2/88
 SO 2/88
 SP 2/88
 SQ 2/88
 SR 2/88
 SS 2/88
 ST 2/88
 SU 2/88
 SV 2/88
 SW 2/88
 SX 2/88
 SY 2/88
 SZ 2/88
 TA 2/88
 TB 2/88
 TC 2/88
 TD 2/88
 TE 2/88
 TF 2/88
 TG 2/88
 TH 2/88
 TI 2/88
 TJ 2/88
 TK 2/88
 TL 2/88
 TM 2/88
 TN 2/88
 TO 2/88
 TP 2/88
 TQ 2/88
 TR 2/88
 TS 2/88
 TT 2/88
 TU 2/88
 TV 2/88
 TW 2/88
 TX 2/88
 TY 2/88
 TZ 2/88
 UA 2/88
 UB 2/88
 UC 2/88
 UD 2/88
 UE 2/88
 UF 2/88
 UG 2/88
 UH 2/88
 UI 2/88
 UJ 2/88
 UK 2/88
 UL 2/88
 UM 2/88
 UN 2/88
 UO 2/88
 UP 2/88
 UQ 2/88
 UR 2/88
 US 2/88
 UT 2/88
 UY 2/88
 UZ 2/88
 VA 2/88
 VB 2/88
 VC 2/88
 VD 2/88
 VE 2/88
 VF 2/88
 VG 2/88
 VH 2/88
 VI 2/88
 VJ 2/88
 VK 2/88
 VL 2/88
 VM 2/88
 VN 2/88
 VO 2/88
 VP 2/88
 VQ 2/88
 VR 2/88
 VS 2/88
 VT 2/88
 VU 2/88
 VV 2/88
 VW 2/88
 VX 2/88
 VY 2/88
 VZ 2/88
 WA 2/88
 WB 2/88
 WC 2/88
 WD 2/88
 WE 2/88
 WF 2/88
 WG 2/88
 WH 2/88
 WI 2/88
 WJ 2/88
 WK 2/88
 WL 2/88
 WM 2/88
 WN 2/88
 WO 2/88
 WP 2/88
 WQ 2/88
 WR 2/88
 WS 2/88
 WT 2/88
 WY 2/88
 WZ 2/88
 XA 2/88
 XB 2/88
 XC 2/88
 XD 2/88
 XE 2/88
 XF 2/88
 XG 2/88
 XH 2/88
 XI 2/88
 XJ 2/88
 XK 2/88
 XL 2/88
 XM 2/88
 XN 2/88
 XO 2/88
 XP 2/88
 XQ 2/88
 XR 2/88
 XS 2/88
 XT 2/88
 XU 2/88
 XV 2/88
 XW 2/88
 XX 2/88
 XY 2/88
 XZ 2/88
 YA 2/88
 YB 2/88
 YC 2/88
 YD 2/88
 YE 2/88
 YF 2/88
 YG 2/88
 YH 2/88
 YI 2/88
 YJ 2/88
 YK 2/88
 YL 2/88
 YM 2/88
 YN 2/88
 YO 2/88
 YP 2/88
 YQ 2/88
 YR 2/88
 YS 2/88
 YT 2/88
 YU 2/88
 YV 2/88
 YW 2/88
 YX 2/88
 YZ 2/88
 ZA 2/88
 ZB 2/88
 ZC 2/88
 ZD 2/88
 ZE 2/88
 ZF 2/88
 ZG 2/88
 ZH 2/88
 ZI 2/88
 ZJ 2/88
 ZK 2/88
 ZL 2/88
 ZM 2/88
 ZN 2/88
 ZO 2/88
 ZP 2/88
 ZQ 2/88
 ZR 2/88
 ZS 2/88
 ZT 2/88
 ZY 2/88
 ZZ 2/88

THIS DRAWING COVERS A PROPRIETARY ITEM AND IS THE PROPERTY OF MICRO SWITCH, A DIVISION OF HONEYWELL. THIS DRAWING IS NOT TO BE COPIED OR USED WITHOUT THE APPROVAL OF MICRO SWITCH.		CATALOG LISTING	
FED. MFG. CODE 91929		SWITCH, ENCLOSED	
MICRO SWITCH a Honeywell Division		GL SERIES CHART 1	
DESIGN UNITS: SI METRIC <input checked="" type="checkbox"/> US CUSTOMARY <input type="checkbox"/>		WEIGHT	

THIRD ANGLE PROJECTION			
SCALE: FULL			
DO NOT SCALE PRINT			
TOLERANCES			
APPLY TO DESIGN UNITS. CONCESSIONS ARE ONLY FOR REFERENCE, UNLESS NOTED. TOLERANCES ARE:			
	SI	US	
NO PLACES	±0.04	±0.0015	
ONE PLACE	±0.01	±0.0005	
TWO PLACES	±0.002	±0.0002	
THREE PLACES	±0.0005	±0.0001	
ANGLES	±2'		

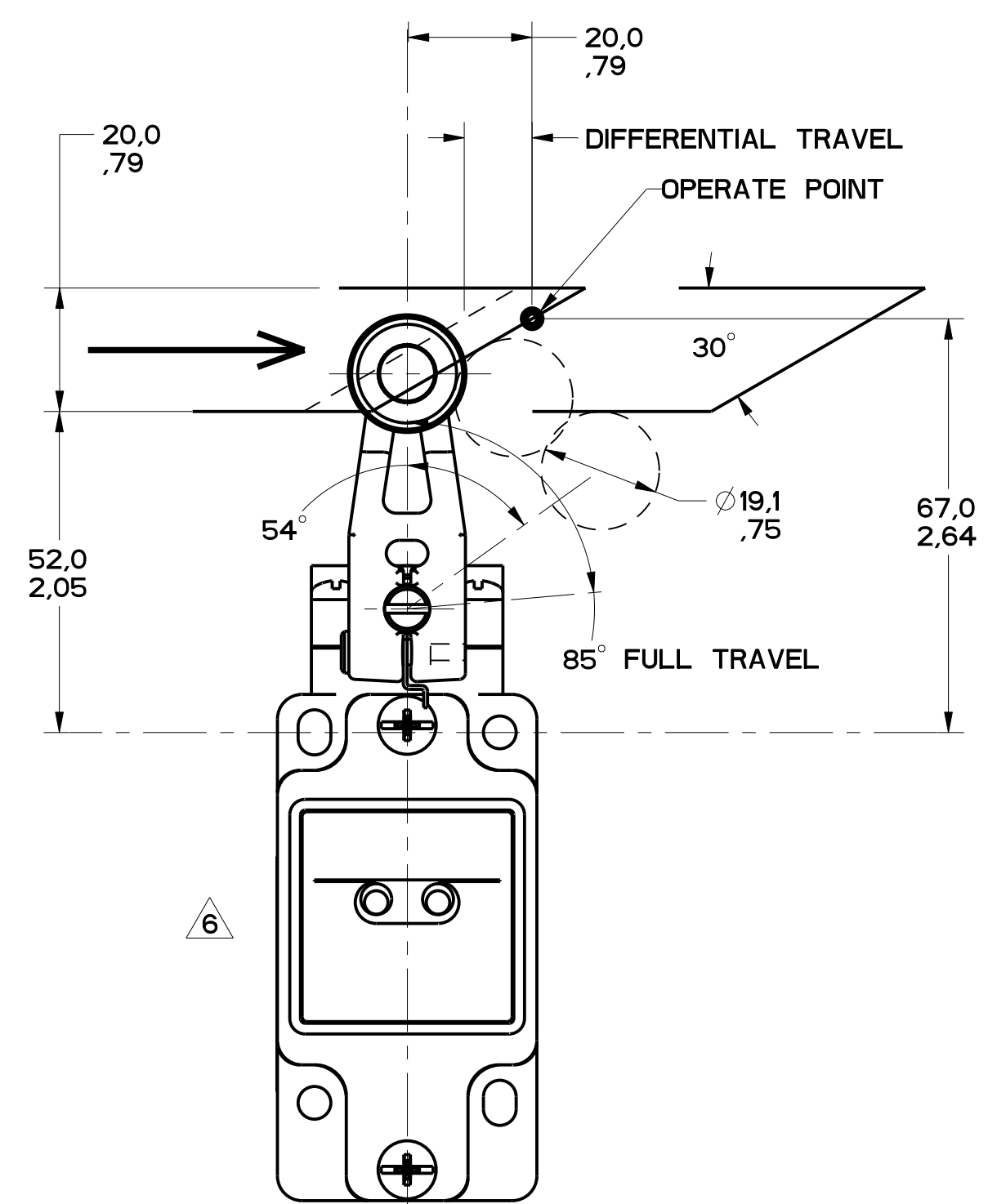


FIGURE 8

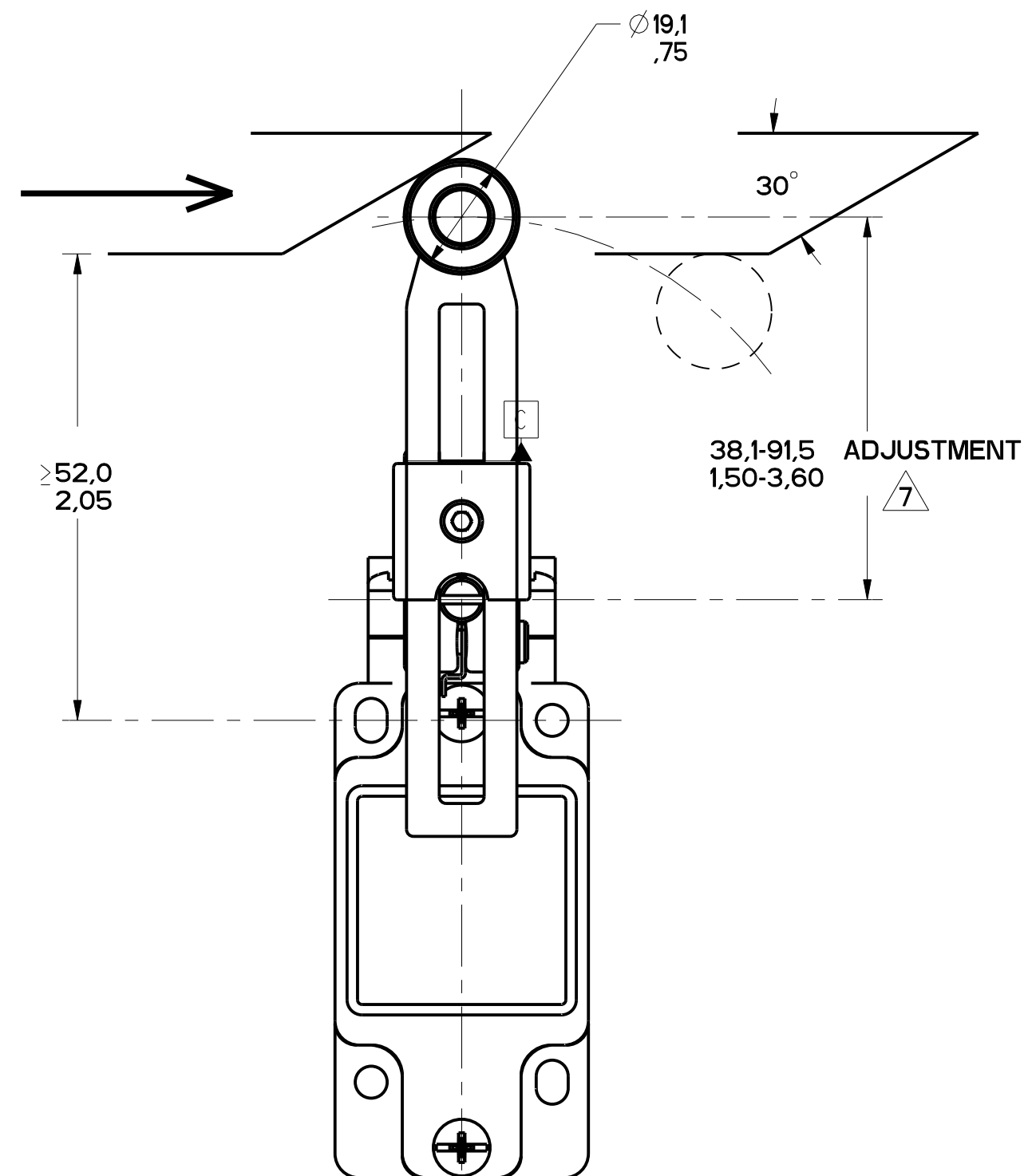


FIGURE 9

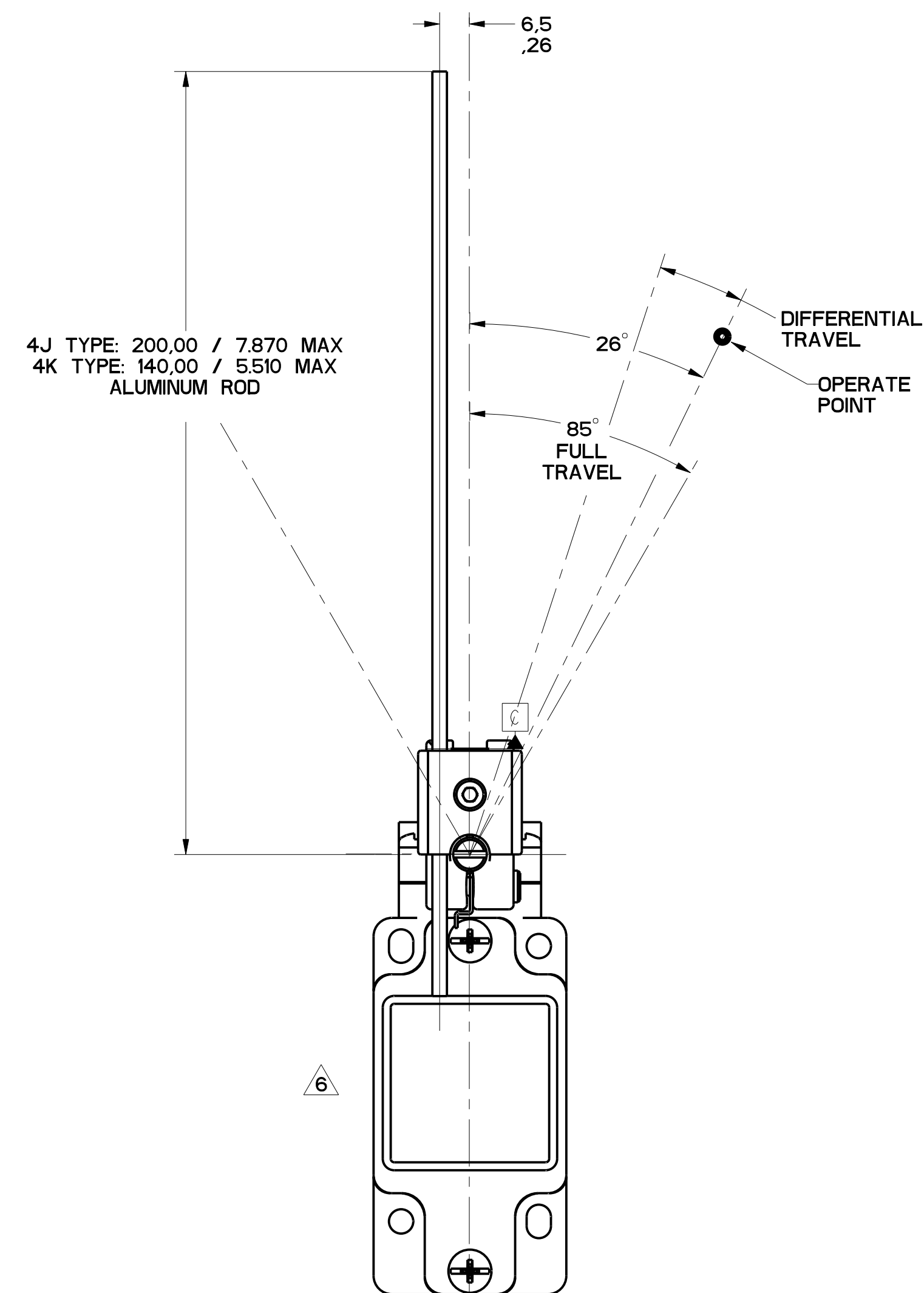


FIGURE 10

MGL SERIES CHART 1
 DRAWING NUMBER: 4 OF 13
 RELEASE NO. PR-20782
 PAGES: 4 OF 13
 ISSUE: 12
 CHECK: MDM
 P.T.C./CAD
 S.A.V. 27 MAR 66
 D.M. 07 AUG 66
 D.M. 07 AUG 66
 S.A.V. 27 MAR 66
 D.M. 07 AUG 66
 S.A.V. 27 MAR 66
 D.M. 07 AUG 66

REV	DATE	BY	CHKD	DESCRIPTION
A	28 2 1963	PTC	MDM	DESIGN
B	27 MAR 66	MDM	MDM	REVISED
C	03 9 1968	MDM	MDM	REVISED
D	20 5 1968	MDM	MDM	REVISED
E	00 0 1968	MDM	MDM	REVISED
F	00 2 1968	MDM	MDM	REVISED
G	00 2 1968	MDM	MDM	REVISED
H	00 2 1968	MDM	MDM	REVISED
I	00 2 1968	MDM	MDM	REVISED
J	00 2 1968	MDM	MDM	REVISED

THIS DRAWING COVERS A PROPRIETARY ITEM AND IS THE PROPERTY OF MICRO SWITCH, A DIVISION OF HONEYWELL. THIS DRAWING IS NOT TO BE COPIED OR USED WITHOUT THE APPROVAL OF MICRO SWITCH.		FEDERAL MANUFACTURING CODE 91929		CATALOG LISTING	
MICRO SWITCH a Honeywell Division		SWITCH, ENCLOSED		GL SERIES CHART 1	
DESIGN UNITS: <input checked="" type="checkbox"/> SI METRIC <input type="checkbox"/> US CUSTOMARY		TOLERANCES: DO NOT SCALE PRINT		THIRD ANGLE PROJECTION	
SCALE: FULL		TOLERANCES: APPLY TO DESIGN UNITS. CONVERSIONS ARE ONLY FOR REFERENCE. UNLESS NOTED, TOLERANCES ARE:		FULL	
NO PLACES	X	1/100	0.01	1/100	0.01
TWO PLACES	X, XX	0.01, 0.05	0.01, 0.05	0.01, 0.05	0.01, 0.05
THREE PLACES	X, XX, XXX	0.001, 0.005, 0.01	0.001, 0.005, 0.01	0.001, 0.005, 0.01	0.001, 0.005, 0.01
ANGLES		±2'	±2'	±2'	±2'
WEIGHT					

FIGURES 8, 9, 10 SIDE ROTARY HEAD, ANGULAR ACTUATION

CATALOG LISTING	CONTACT BLOCK DIAGRAM	NOMINAL TRAVELS AND RELATED TERMINALS DIFFERENTIAL TRAVEL, ** POSITIVE OPENING TO IEC 947-5	MAXIMUM OPERATING TORQUE N-m LB-IN	MAXIMUM DISCONNECT TORQUE N-m LB-IN	MAX OPERATE DEGREE/S	MIN OPERATE DEGREE/S	MAX OPERATE FREQUENCY OPS/MIN
GL**01A GL**07A	SNAP - ACTION CONTACTS SINGLE POLE 	 12° DIFFERENTIAL TRAVEL	$\frac{.330}{2.9}$	$\frac{.385}{3.4}$	1290	13	250
GL**03A GL**33A	SLOW ACTING BREAK BEFORE MAKE 	 38°	$\frac{.330}{2.9}$	$\frac{.385}{3.4}$	1290	13	250
GL**04A GL**34A	SLOW ACTING MAKE BEFORE BREAK 	 26°	$\frac{.330}{2.9}$	$\frac{.400}{3.5}$	1290	13	250
GL**05A GL**35A	SLOW ACTING 	 85°	$\frac{.330}{2.9}$	$\frac{.385}{3.4}$	1290	13	250
GL**06A GL**36A	SLOW ACTING 	 85°	$\frac{.330}{2.9}$	$\frac{.385}{3.4}$	1290	13	250
GL**20A GL**22A GL**24A GL**32A	SNAP ACTION CONTACTS DOUBLE POLE 	 12° DIFFERENTIAL TRAVEL	$\frac{.330}{2.9}$	$\frac{.385}{3.4}$	1290	13	250
GL**21A GL**25A GL**28A GL**31A	SNAP ACTION CONTACTS DOUBLE POLE SEQUENTIAL 	 8 DIFFERENTIAL TRAVEL 8 DIFFERENTIAL TRAVEL	$\frac{.330}{2.9}$	N/A	1290	13	250

SIDE ROTARY HEAD, CAM ACTUATION PER EN50041, FIGURES 8 AND 9

CATALOG LISTING	CONTACT BLOCK DIAGRAM	NOMINAL TRAVELS AND RELATED TERMINALS DIFFERENTIAL TRAVEL, ** POSITIVE OPENING TO IEC 947-5 DIMENSIONS IN mm	MAXIMUM OPERATING FORCE N LB	MAXIMUM DISCONNECT FORCE N LB	MAX OPERATE VEL M/S IN/S	MIN OPERATE VEL mm/S IN/S	MAX OPERATE FREQUENCY OPS/MIN
GL**01A GL**07A	SNAP - ACTION CONTACTS SINGLE POLE 	 12 DIFFERENTIAL TRAVEL	$\frac{9.7}{2.2}$	$\frac{11.4}{2.6}$	$\frac{.85}{33.5}$	$\frac{8.5}{.33}$	250
GL**03A GL**33A	SLOW ACTING BREAK BEFORE MAKE 	 32	$\frac{9.7}{2.2}$	$\frac{11.4}{2.6}$	$\frac{.85}{33.5}$	$\frac{8.5}{.33}$	250
GL**04A GL**34A	SLOW ACTING MAKE BEFORE BREAK 	 20	$\frac{9.7}{2.2}$	$\frac{11.4}{2.6}$	$\frac{.85}{33.5}$	$\frac{8.5}{.33}$	250
GL**05A GL**35A	SLOW ACTING 	 85°	$\frac{9.7}{2.2}$	$\frac{11.4}{2.6}$	$\frac{.85}{33.5}$	$\frac{8.5}{.33}$	250
GL**06A GL**36A	SLOW ACTING 	 85°	$\frac{9.7}{2.2}$	$\frac{11.4}{2.6}$	$\frac{.85}{33.5}$	$\frac{8.5}{.33}$	250
GL**20A GL**22A GL**24A GL**32A	SNAP ACTION CONTACTS DOUBLE POLE 	 12 DIFFERENTIAL TRAVEL	$\frac{9.7}{2.2}$	$\frac{11.8}{2.7}$	$\frac{.85}{33.5}$	$\frac{8.5}{.33}$	250
GL**21A GL**25A GL**28A GL**31A	SNAP ACTION CONTACTS DOUBLE POLE SEQUENTIAL 	 8.5 DIFFERENTIAL TRAVEL 7 DIFFERENTIAL TRAVEL	$\frac{9.7}{2.2}$	N/A	$\frac{.85}{33.5}$	$\frac{8.5}{.33}$	250
GL**26J GL**27J GL**29J GL**30J	SNAP ACTION CONTACTS DOUBLE POLE CENTER NEUTRAL 	 8 DIFFERENTIAL TRAVEL 8 DIFFERENTIAL TRAVEL	$\frac{9.7}{2.2}$	N/A	$\frac{.85}{33.5}$	$\frac{8.5}{.33}$	250

REV	DATE	BY	CHKD
A	14 JUN 88	PTC	MDM
B	20 NOV 88	MDM	MDM
C	20 FEB 89	MDM	MDM
D	000401		
E	2 JUN 93		
F	002986		
G	20 JAN 04		
H	0023759		
I	07 JUN 06		
J	0037274		
K	08 FEB 08		

THIS DRAWING COVERS A PROPRIETARY ITEM AND IS THE PROPERTY OF MICRO SWITCH, A DIVISION OF HONEYWELL. THIS DRAWING IS NOT TO BE COPIED OR USED WITHOUT THE APPROVAL OF MICRO SWITCH.
FED. MFG. CODE 91929
CATALOG LISTING
MICRO SWITCH a Honeywell Division
SWITCH, ENCLOSED
GL SERIES CHART 1

THIRD ANGLE PROJECTION
SCALE: FULL
DO NOT SCALE PRINT
TOLERANCES
APPLY TO DESIGN UNITS. CONVERSIONS ARE ONLY FOR REFERENCE. UNLESS NOTED, TOLERANCES ARE:
DIM TOL DIM TOL
NO PLACES X .04 .12
ONE PLACE X .1 0.40
TWO PLACES X .14 0.45
THREE PLACES X .18 0.50
ANGLES .15X .005 .15X .005
DESIGN UNITS: SI METRIC US CUSTOMARY
WEIGHT: